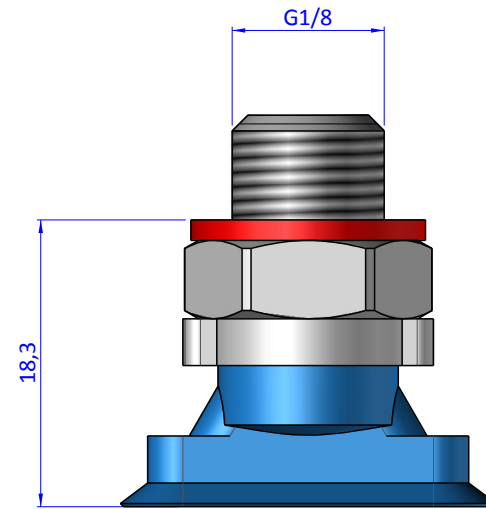
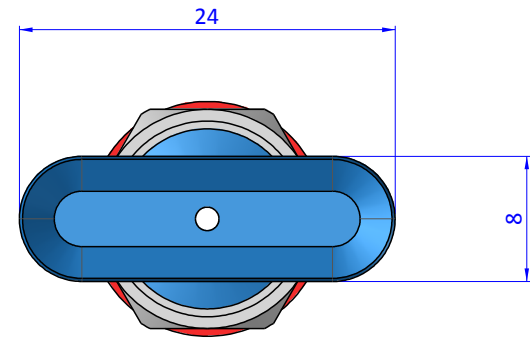
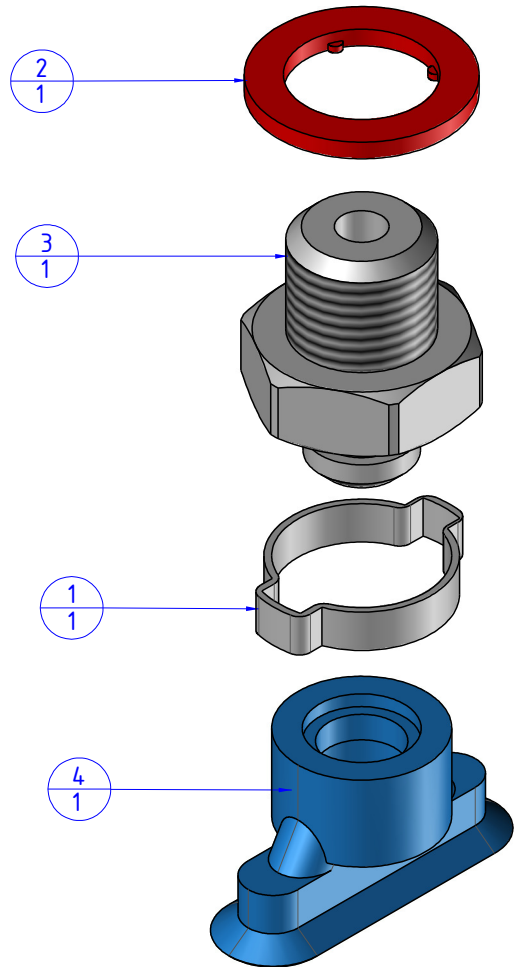


THE PROPERTY OF THE DRAWING IS ESTABLISHED BY LAW. IT IS FORBIDDEN TO PRODUCE OR SHOW IT TO THIRD PARTY, WITHOUT A WRITTEN AGREEMENT.

Item	Name	Q.ty
1	10.07.10.00032.D11	1
2	CA.08.09.18	1
3	CA.08.09.027	1
4	CA.08.39.004	1



Format A3

UNI 936-76

		DESIGNED FROM		REVIEW
		FPS Automation		A
GENERAL TOLERANCE UNI - ISO 2768 CLASSE f		DATE	WEIGHT	
		21/03/2019	0,004kg	
DESCRIPTION		CODE		
KIT.08.39.L24.27		KIT.08.39.L24.27		